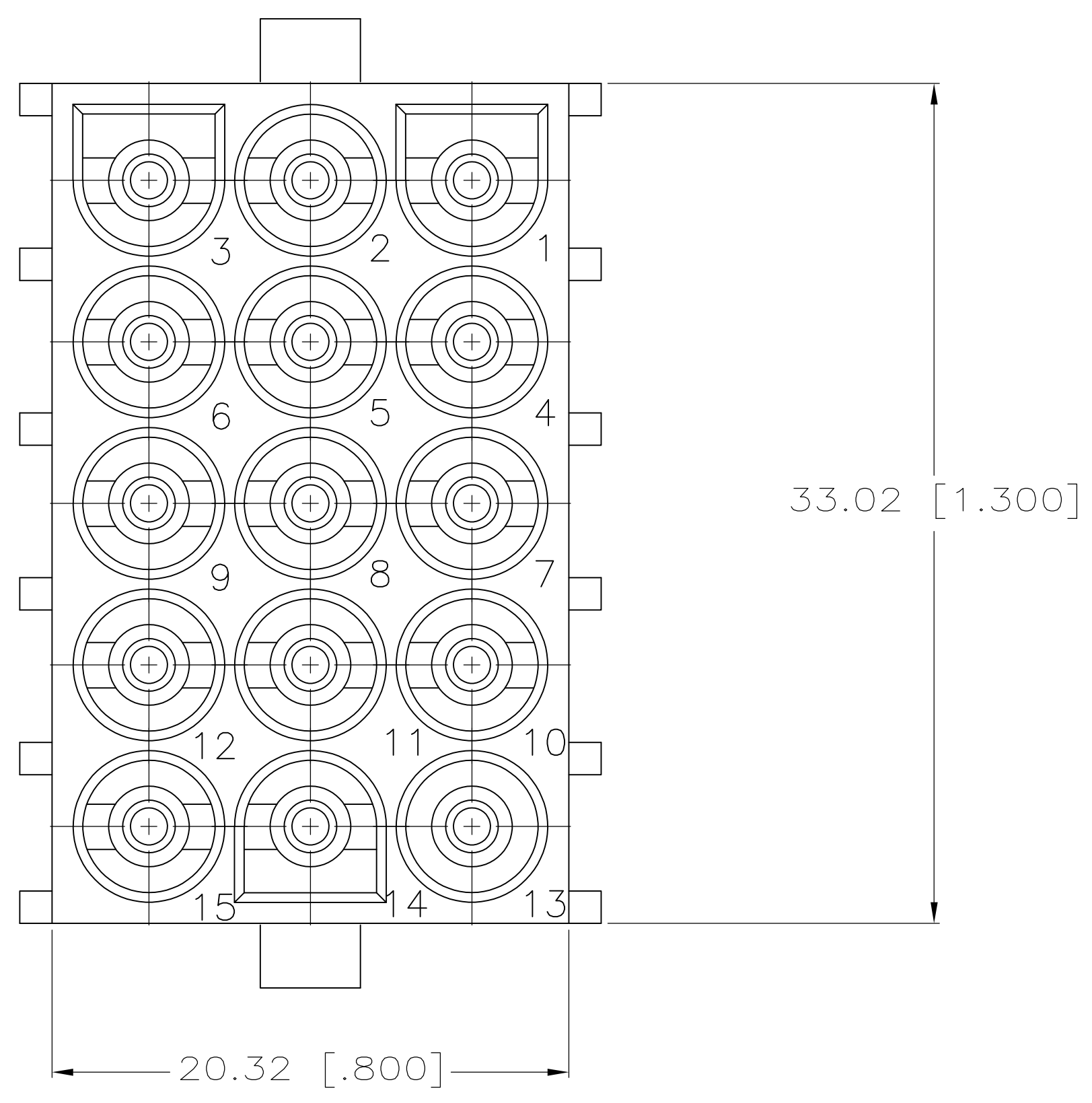
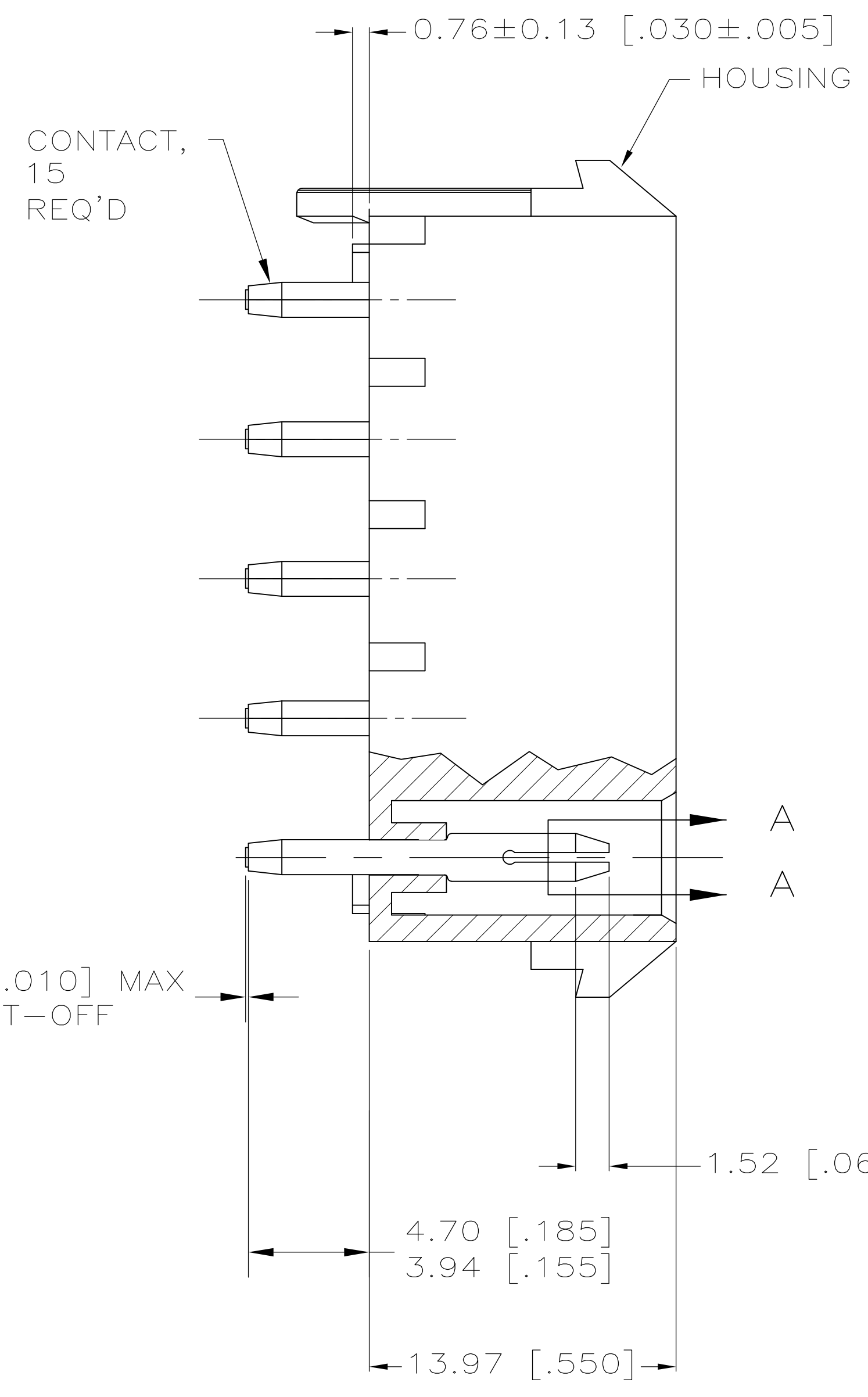
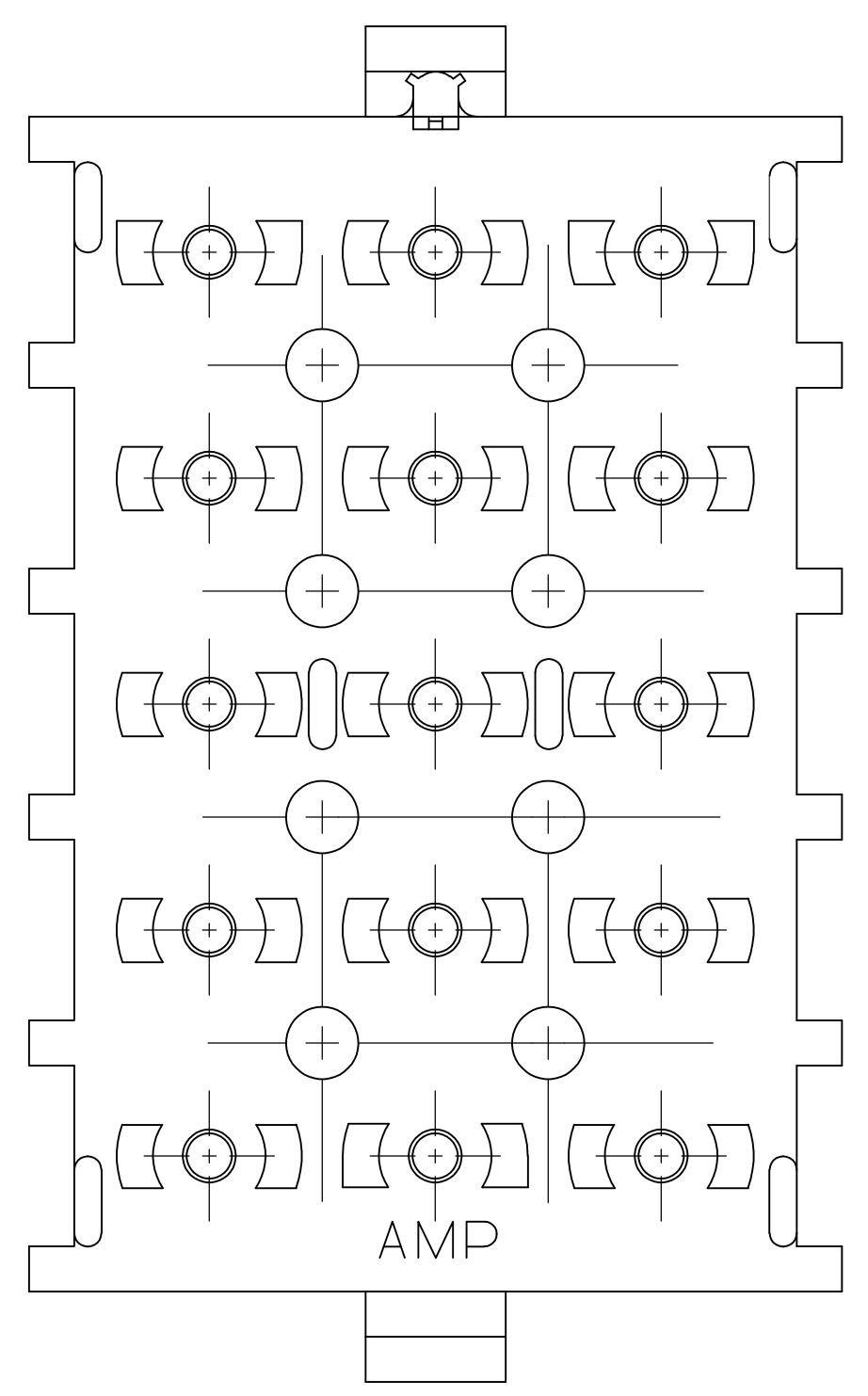
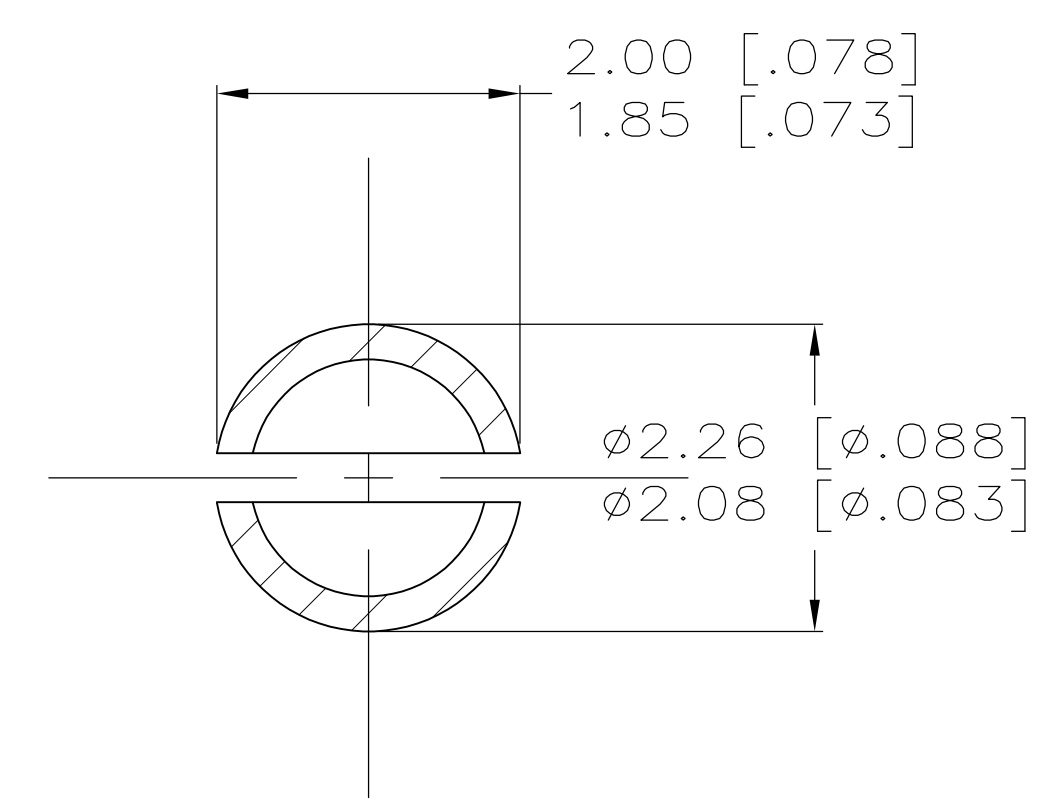


LOC		DIST		REVISIONS			
CM	00	REV	DATE	BY	CHK	APPV	
		K2	31JAN13				REVIS PER ECR-12-011660

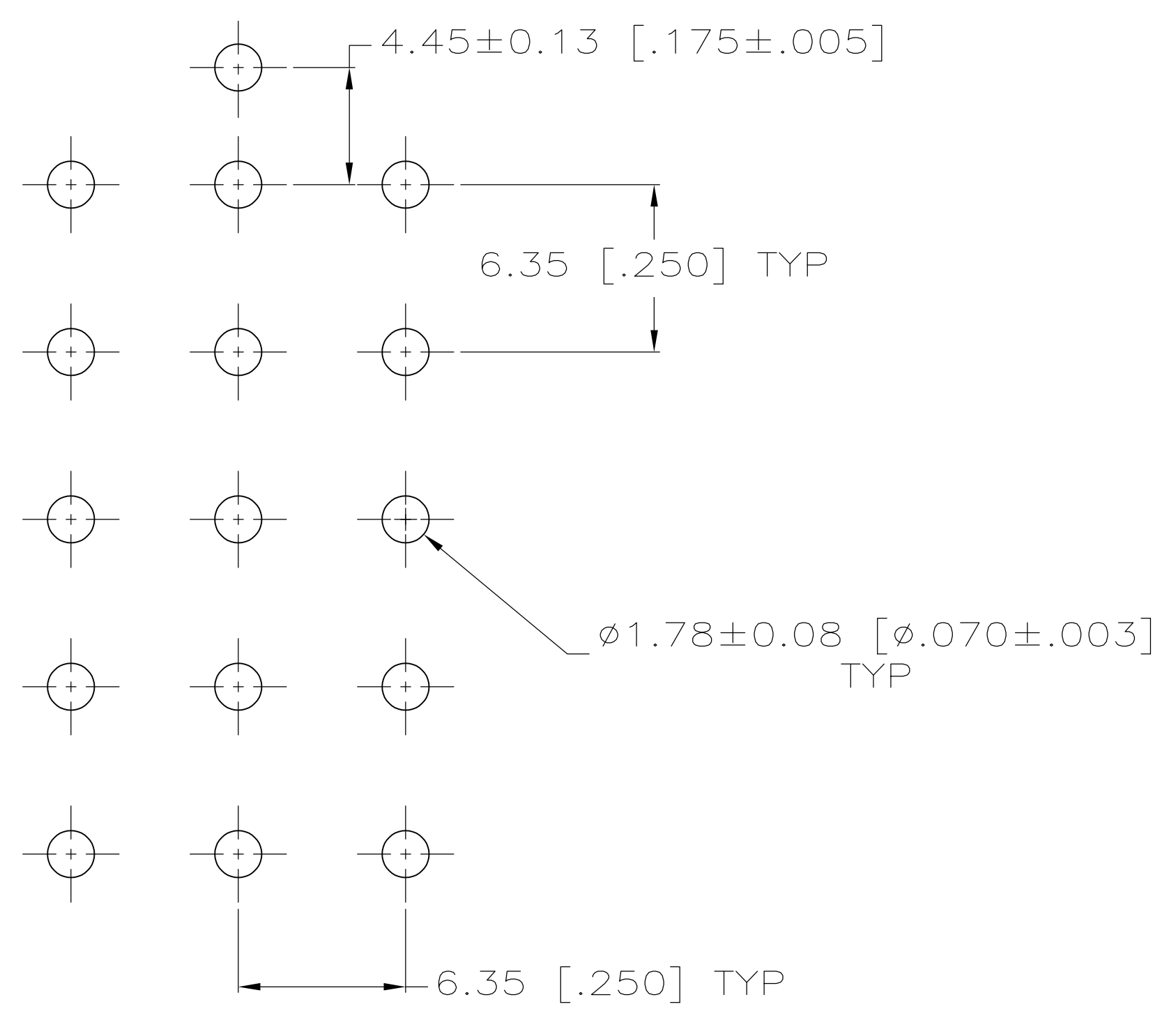


- 1 PARTS MUST COMPLY WITH AMP SOLDERABILITY SPEC 109-11-3.
- 2 MATES WITH HOUSING NO. 350736 USING SOCKET CONTACTS.
- 3 CONTACT IS STAMPED FROM PRE-PLATED STOCK WHICH IS PLATED OVERALL WITH 0.00127 [.000050] NICKEL, THEN STRIPED WITH 0.00076 [.000030] GOLD IN CONTACT AREA INDICATED AND TIN-LEAD ON SOLDER TAIL END.
- 4 CONTACT IS PLATED OVERALL WITH 0.00127 [.000050] NICKEL, THEN 0.00076 [.000030] GOLD OVER CONTACT LENGTH INDICATED AND MATTE TIN ON SOLDER TAIL END.
- 6 SUPERSEDED BY 641976-4

0.25 [.010] MAX CUT-OFF



SECTION A-A  
SCALE 12:1



RECOMMENDED LAYOUT FOR 1.58 [.062] THICK PC BOARD

PH BRZ GOLD <sup>4</sup>	NYLON, UL94V-0	641976-4
PH BRZ GOLD <sup>3</sup>	NYLON, UL94V-0	641976-2
PH BRZ TIN	NYLON, UL94V-0	641976-1
CONTACT	HOUSING	PART NO

THIS DRAWING IS A CONTROLLED DOCUMENT.		DIN 140CT2005		K. WHITAKER	
DIMENSIONS: mm [INCHES]		TOLERANCES UNLESS OTHERWISE SPECIFIED:		CHK S. RIDGILL 19-NOV-2003	
0 PLC ±		1 PLC ±		APPV S. RIDGILL 19-NOV-2003	
1 PLC ±		2 PLC ±		NAME	
2 PLC ±		3 PLC ± 0.13 [.005]		PRODUCT SPEC	
3 PLC ±		4 PLC ±		APPLICATION SPEC	
4 PLC ±		ANGLES ±		SIZE	
SEE CHART		FINISH		WEIGHT	
				A1 00779 C=641976	
				CUSTOMER DRAWING	
				SCALE 5:1 SHEET 1 OF 1 REV K2	



HEADER ASSEMBLY,  
PIN, POLARIZED,  
UNIVERSAL MATE-N-LOK(TM), 15 CIRCUIT